

Instruction manual Spare parts catalogue HakkiPilke Cleaner



The operator must read and understand these instructions before operating the cleaner!

MAASELÄN KONE OY
Valimotie 1, 85800 Haapajärvi
tel.08-7727300, fax.08-7727320
info@maaselankone.fi
www.maaselankone.fi

TABLE OF CONTENTS

1.	Basic specifications and responsibilities	3
1.1.	Foreword	3
2.	EU Declaration of Conformity for the machine.....	4
2.1.	Intended use of the machine	5
2.2.	Warning signs.....	5
2.3.	Safety instructions	5
2.4.	Responsibilities of the operator	6
2.5.	Operating conditions	6
2.6.	Terms of warranty	6
3.	Setting up the unit for the operation.....	7
3.1.	Debris drum with distributor	7
3.2.	Debris drum with conveyor	8
4.	Using the debris drum	9
4.1.	Hydraulic drive.....	9
4.2.	Powered by electricity	9
4.3.	Adjusting the wood throughput speed.....	9
5.	Service measures.....	9
5.1.	Lubricating the wheel shafts.....	10
5.2.	Tightening the V-belts.....	10
6.	Spare parts.....	11

1. Basic specifications and responsibilities

1.1. Foreword

This Instruction Manual is intended for a professional operator of the machine. The operator must have usual general knowledge and skills. For example, the buyer of a tractor-powered machine is expected to master the use of power take-off shaft transmission.

Before the installation and operation, the operator of the machine must become thoroughly familiar with the contents of the manual. The operator is also obliged to gain familiarity with the operating controls of the machine and the emergency stop mechanism. For more information about our products, please visit our website at www.maaselankone.fi.

NOTE! Keep this manual with the machine at all times.

2. EU Declaration of Conformity for the machine

(Machinery Directive 2006/42/EC, Appendix II A)

Manufacturer: Maaselän Kone Oy
Address: Valimotie 1, FI-85800 Haapajärvi, Finland

Name and address of person who is authorised to compile the technical file:

Name: Jari Niskakoski Address: Valimotie 1, FI-85800 Haapajärvi, Finland

The above person assures that

HakkiPilke Cleaner Serial number:

- is compliant with the applicable regulations of the Machinery Directive (2006/42/EC).

Place and time: Haapajärvi, 1.6.2012



Signature:

Jari Löfroos
Managing director

2.1. Intended use of the machine

Debris drum and extension conveyor are optional accessories for HakkiPilke firewood processors. Using the machine for any other purpose or connecting it to any other machine is prohibited.

2.2. Warning signs

 <p>Lifting point for forklift truck</p>	 <p>The danger zone around the conveyor is 5 metres</p>	 <p>Disconnect the machine from the power source before servicing</p>
--	--	---

2.3. Safety instructions

General regulations and restrictions

- ❑ The machine is only intended for cleaning firewood in combination with the HakkiPilke firewood processor.
- ❑ The danger zone around the debris drum and the conveyor is 5 metres to the sides and to the rear.
- ❑ Never remove any safety-related devices from the machine.

The operator

- ❑ Every person operating the machine, must thoroughly study the entire user manual.
- ❑ Always use eye guards and hearing protectors.
- ❑ Always wear protective shoes.
- ❑ Always wear work gloves.
- ❑ Do not wear loosely-fitting clothing.

Before use

- ❑ Set up both the debris drum and the conveyor before starting up the machine.
- ❑ Make sure that all other people stay outside the operating range.
- ❑ Only operate the debris drum on a sufficiently firm and level surface.
- ❑ Only operate the drum in an adequately lit space.
- ❑ Always check that all the covers are intact and properly fastened.
- ❑ Always ensure that the electric conductors are intact.
- ❑ Always ensure that the hydraulic hoses and components are intact.
- ❑ Before starting the work, make sure that the drum stands firmly in position.

During operation

- ❑ Keep the working space clean and clear of foreign objects.
- ❑ Always stop the machine and disconnect the power supply cable before servicing.
- ❑ Danger! Stay away from moving parts.

2.4. Responsibilities of the operator

- ❑ The drum may exclusively be used for cleaning firewood as an optional accessory for the HakkiPilke firewood processor.
- ❑ **All the safety-related devices** of the drum are necessary to ensure a sufficient level of safety.
- ❑ It is the **responsibility of the operator** of the drum to ensure before starting the work that all the safety-related devices are in perfect order and the drum has been serviced in a due manner.
- ❑ The operator is responsible for ensuring that no one else is subjected to any danger.
- ❑ Modifying the construction of the drum is prohibited.
- ❑ Remember that as the operator you are responsible for any injuries caused if safety-related devices have been removed from the drum.

2.5. Operating conditions

- ❑ Always place the drum on as level a surface as possible.
- ❑ Only operate the machine in an adequately lit space.
- ❑ The most suitable temperature range for operation is approximately - 20 to +30 degrees Centigrade. Otherwise, the weather conditions do not set any restrictions on the operation.
- ❑ Make sure that no other people, especially children, are present inside the operating range.

2.6. Terms of warranty

The warranty period runs for 12 months from the date of purchase.

The warranty covers

- ❑ Parts which have been damaged during normal operation of the machine due to any defects in material or workmanship.
- ❑ The reasonable repair cost as set forth in the agreement between the buyer and the manufacturer.
- ❑ A new part is delivered as a replacement for the defective one.

The warranty does not cover

- ❑ Defects due to normal wear, faulty operation or negligent maintenance.
- ❑ V-belts.
- ❑ Defects in the product due to any modifications, which the buyer has made or ordered from a third party and which have affected the product in such a way that it can no longer be considered to correspond to its original configuration.
- ❑ Other possible expenses or financial claims due to the above-mentioned measures.
- ❑ Any indirect costs and/or travel expenses incurred from making repairs under the guarantee.
- ❑ For parts changed during the warranty period, the warranty expires at the same time as the warranty period of the product.
- ❑ Consult your dealer about matters related to the warranty.

3. Setting up the unit for the operation

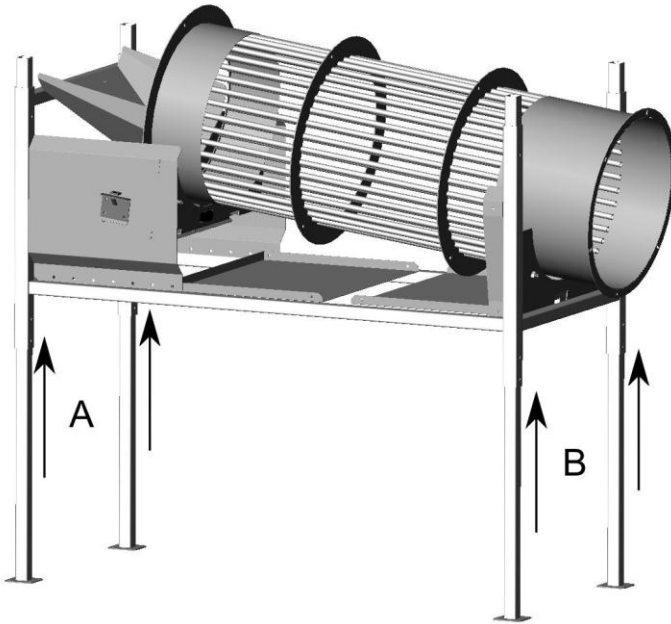


Fig. 1.

- Lift the debris drum to the desired operating height by lifting with long forklift forks under the frame. (width of the frame 1,120 mm).
- The angle of the debris drum can be changed by altering the height difference of the legs A and B (Fig. 1).

3.1. Debris drum with distributor

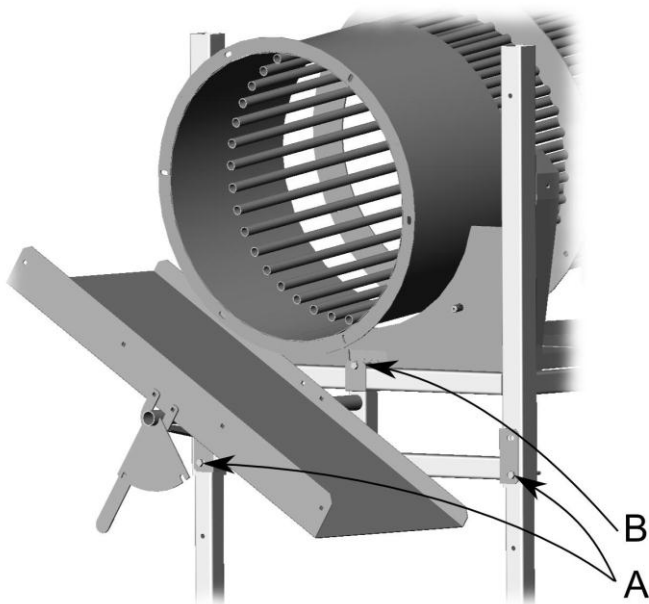


Fig. 2.

- Fix the distributor to the debris drum using hexagon bolts A and B, as illustrated in Fig.

- Fix the hexagon bolts A (Fig. 2) to the same holes for the height adjustment of the legs.

3.2. Debris drum with conveyor

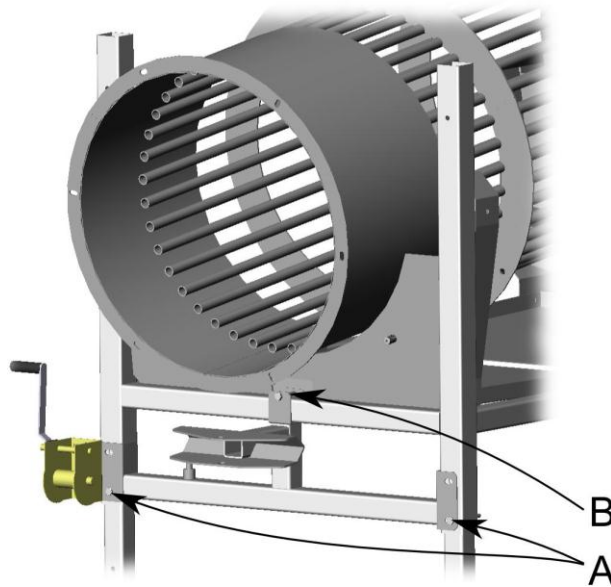


Fig. 3.

- Fix the conveyor bearer to the debris drum using hexagon bolts A and B, as illustrated in Fig. 3.
- Fix the hexagon bolts A (Fig. 3) to the same holes for the height adjustment of the legs.

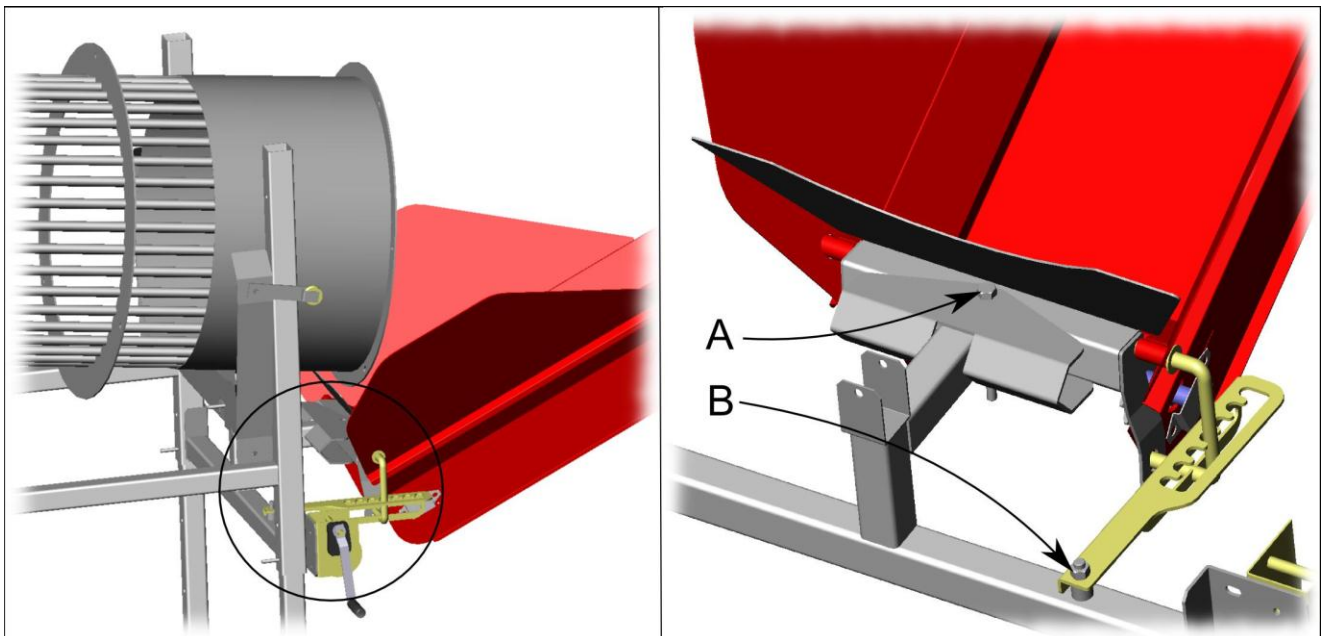


Fig. 4.

- Fix the conveyor to the bearer by hole A (Fig. 4).
- Fix the locking lever for the conveyor to the bearer by point B (Fig. 4)

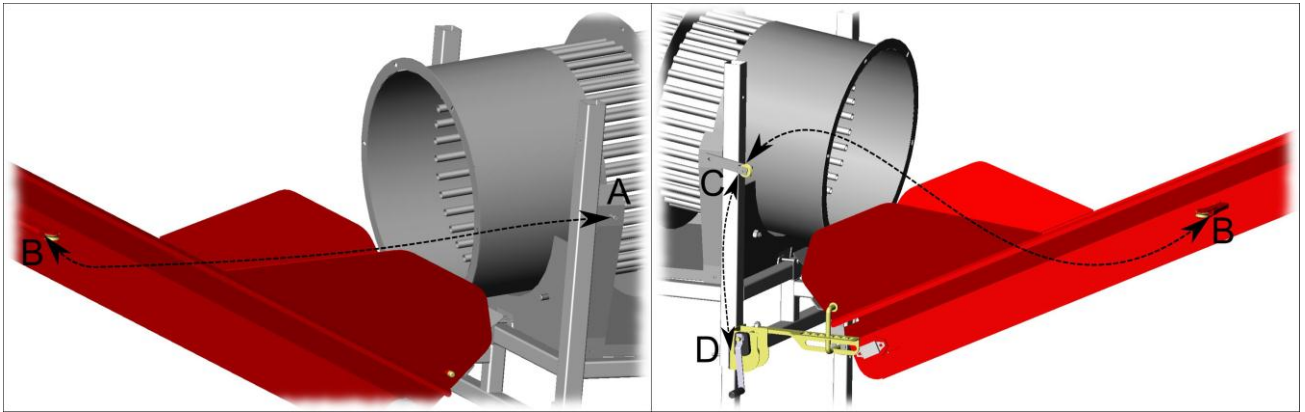


Fig. 5.

- ❑ Fix the wire loop to the bolt A (Fig. 5).
- ❑ Thread the wire through the pipe B located behind the rollers on the conveyor (Fig. 5).
- ❑ Thread the wire via the roller C (Fig. 5) to the winch D (Fig. 5).

4. Using the debris drum

4.1. Hydraulic drive

- ❑ Connect the hydraulic hoses so that the oil flows in the correct direction.
- ❑ The hydraulic hose on the pressure side is screened with a protective sleeve.

4.2. Powered by electricity

- ❑ Make sure that the direction of rotation of the discharge conveyor is correct.
- ❑ As required, change the direction of rotation using the switch in the plug.

4.3. Adjusting the wood throughput speed

- ❑ The wood throughput speed can be adjusted by changing the angle of the debris drum by either extending or shortening the legs.
- ❑ In a hydraulically driven machine, the rotational speed of the drum and the conveyor can be altered by adjusting the speed regulating valve next to the hydraulic motor. The unit comes with separate adjustment valves for both the drum and the conveyor.

5. Service measures

5.1. Lubricating the wheel shafts

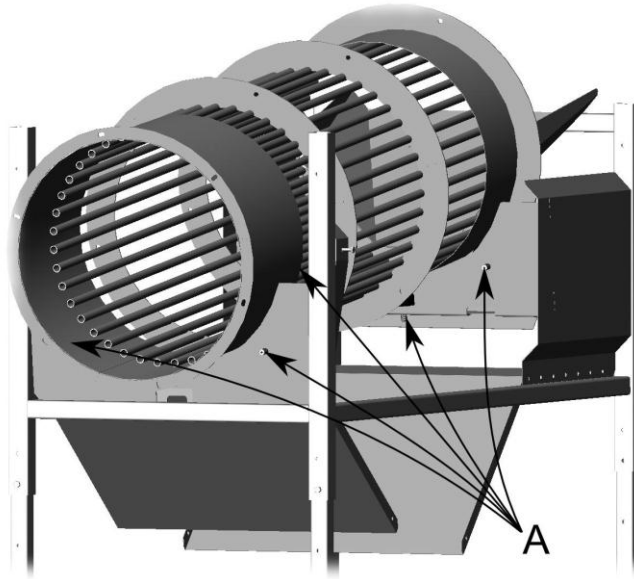


Fig. 6.

- The rotation of the debris drum is supported by five rubber wheels. The shafts A (Fig. 6) of these wheels must be lubricated regularly.

5.2. Tightening the V-belts

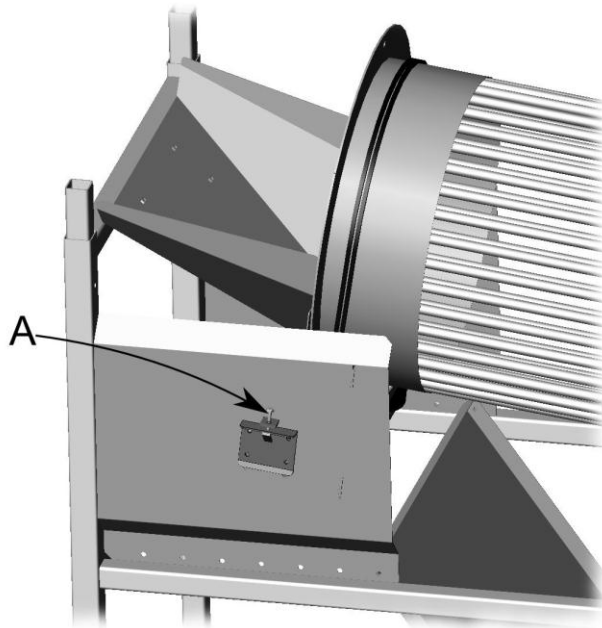


Fig. 7.

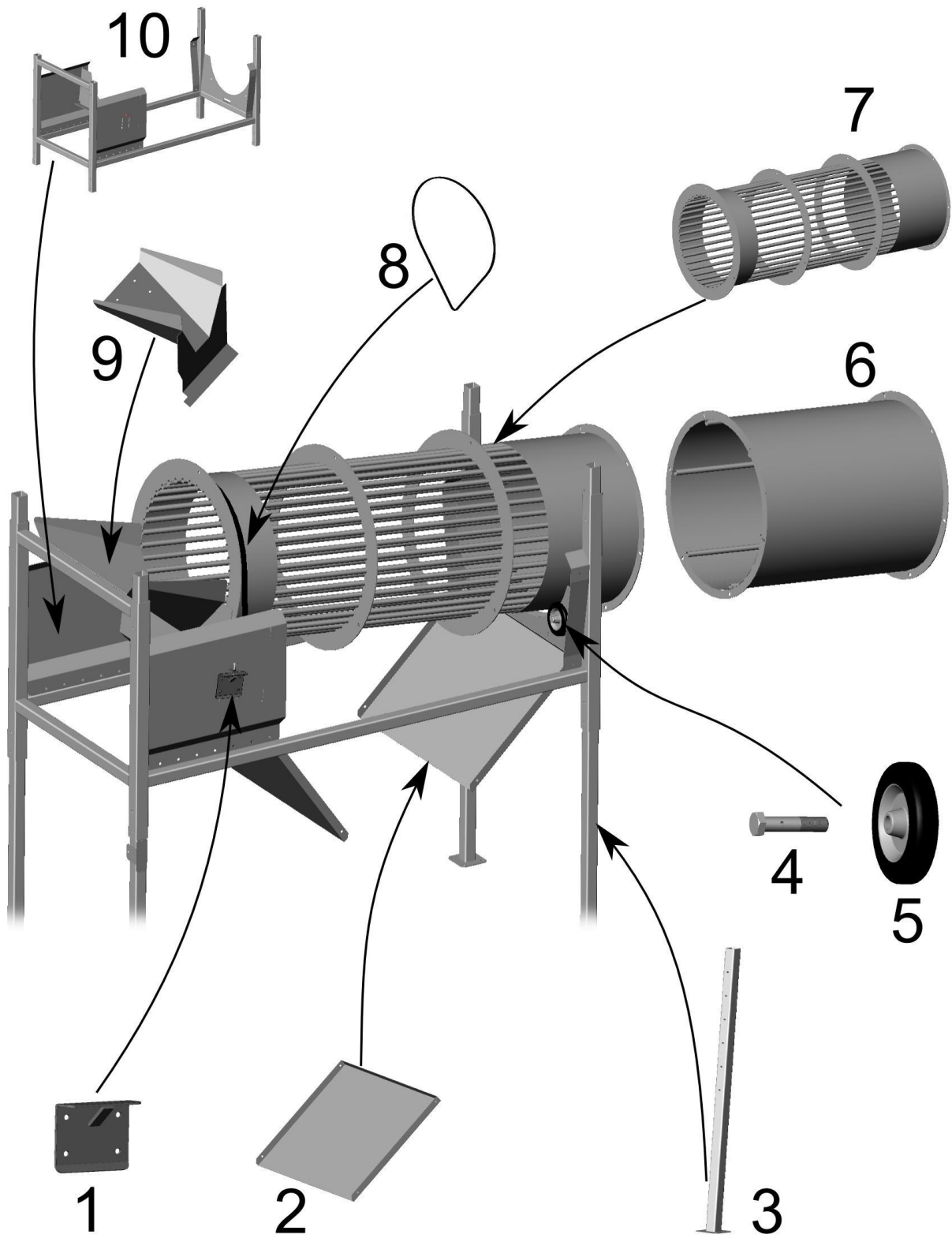
- The V-belts are tightened by tightening the bolt A (Fig. 7).

6. Spare parts

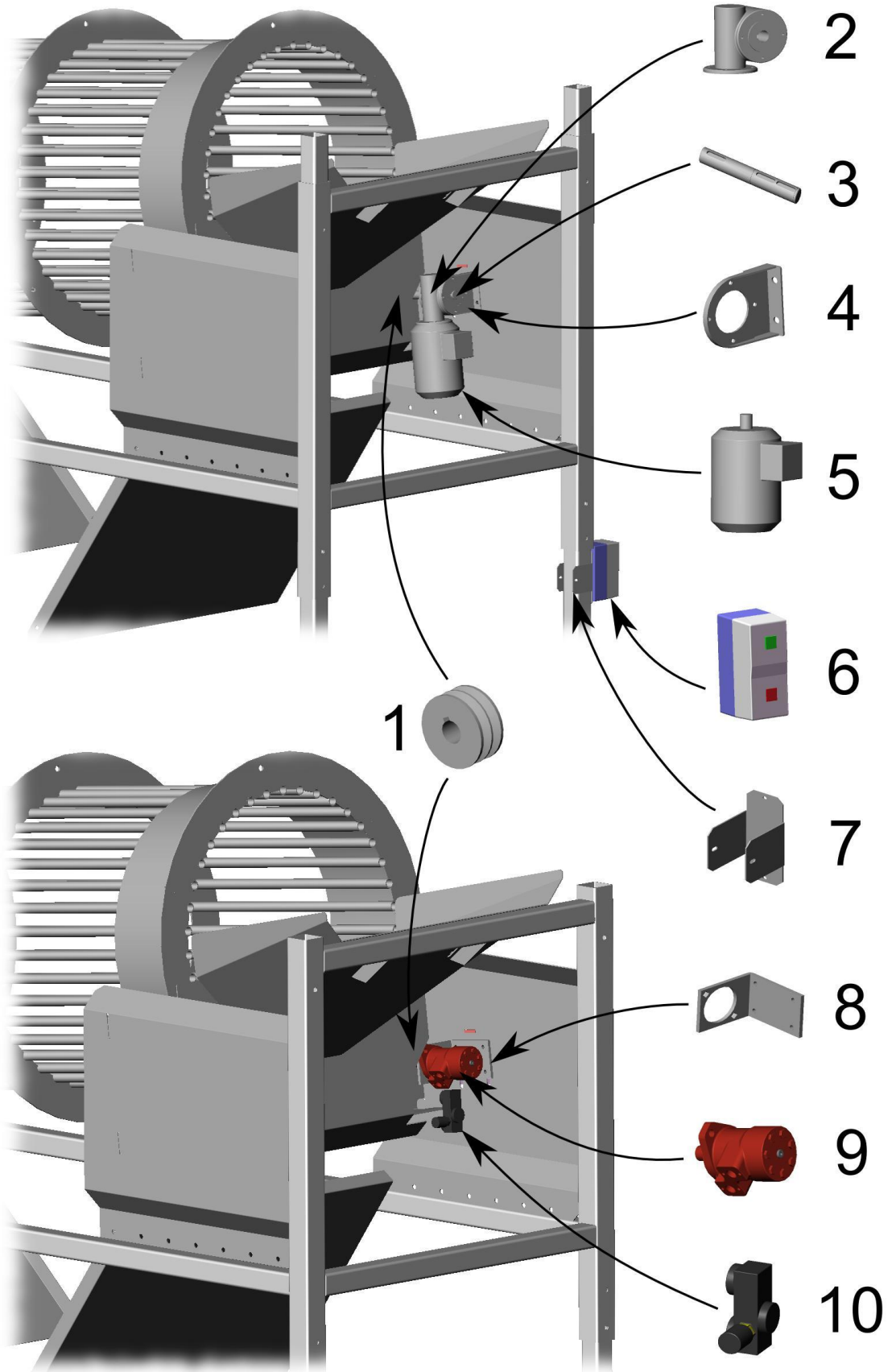
Ordering instructions

1. Look up the picture with the required part.
2. Note the reference number for the part shown in the picture.
3. Look up the ordering code referred to by the picture and part number.
4. When placing your order, always mention: ordering code, denomination of the item, serial number and year of manufacture of the machine.

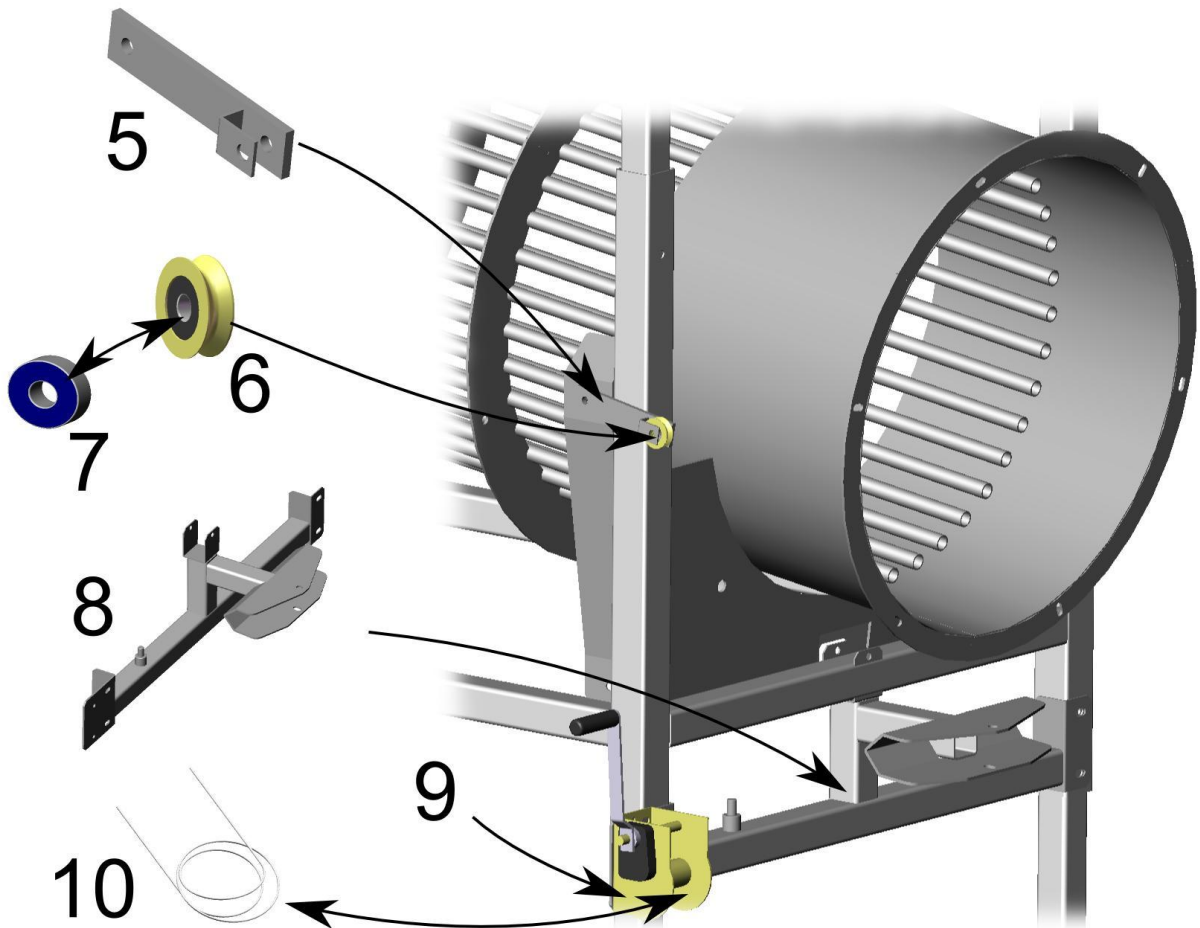
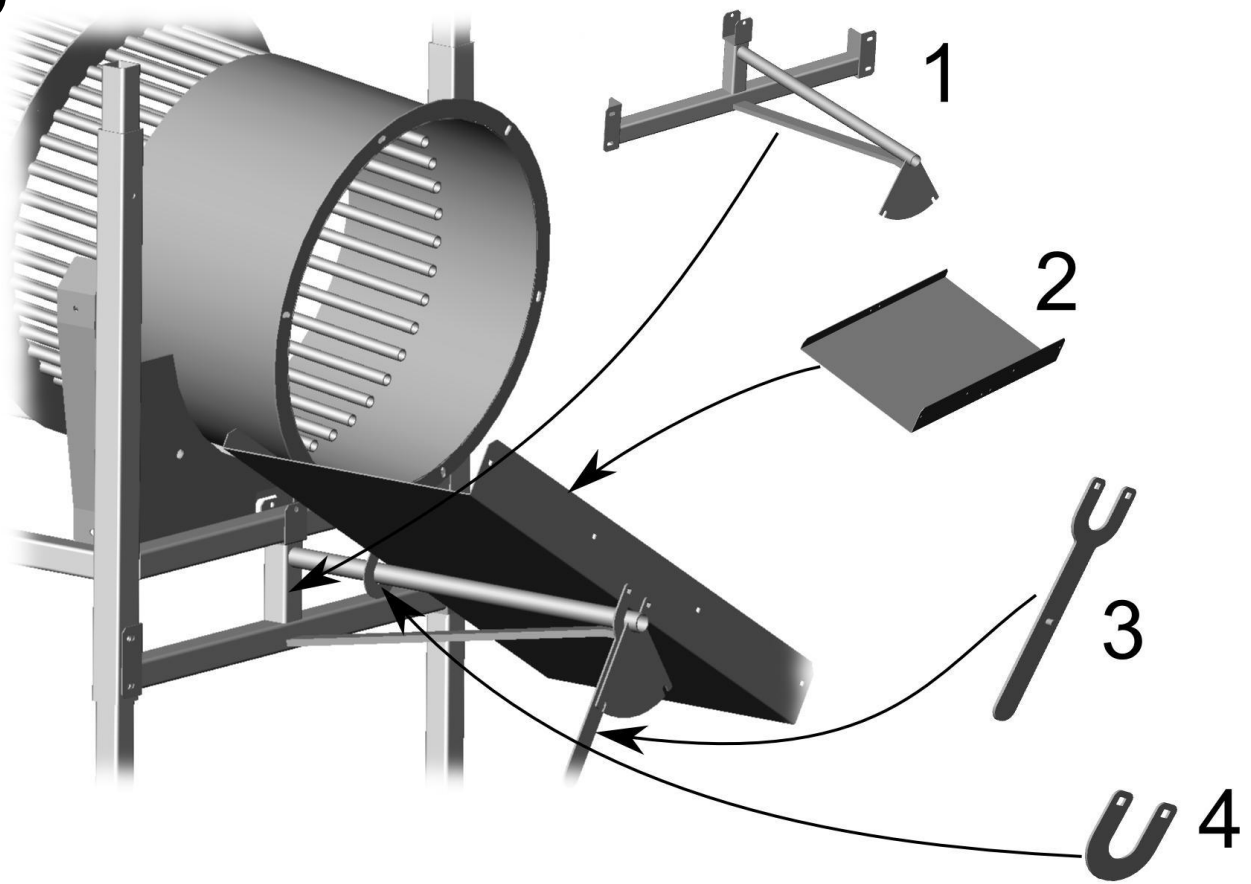
1



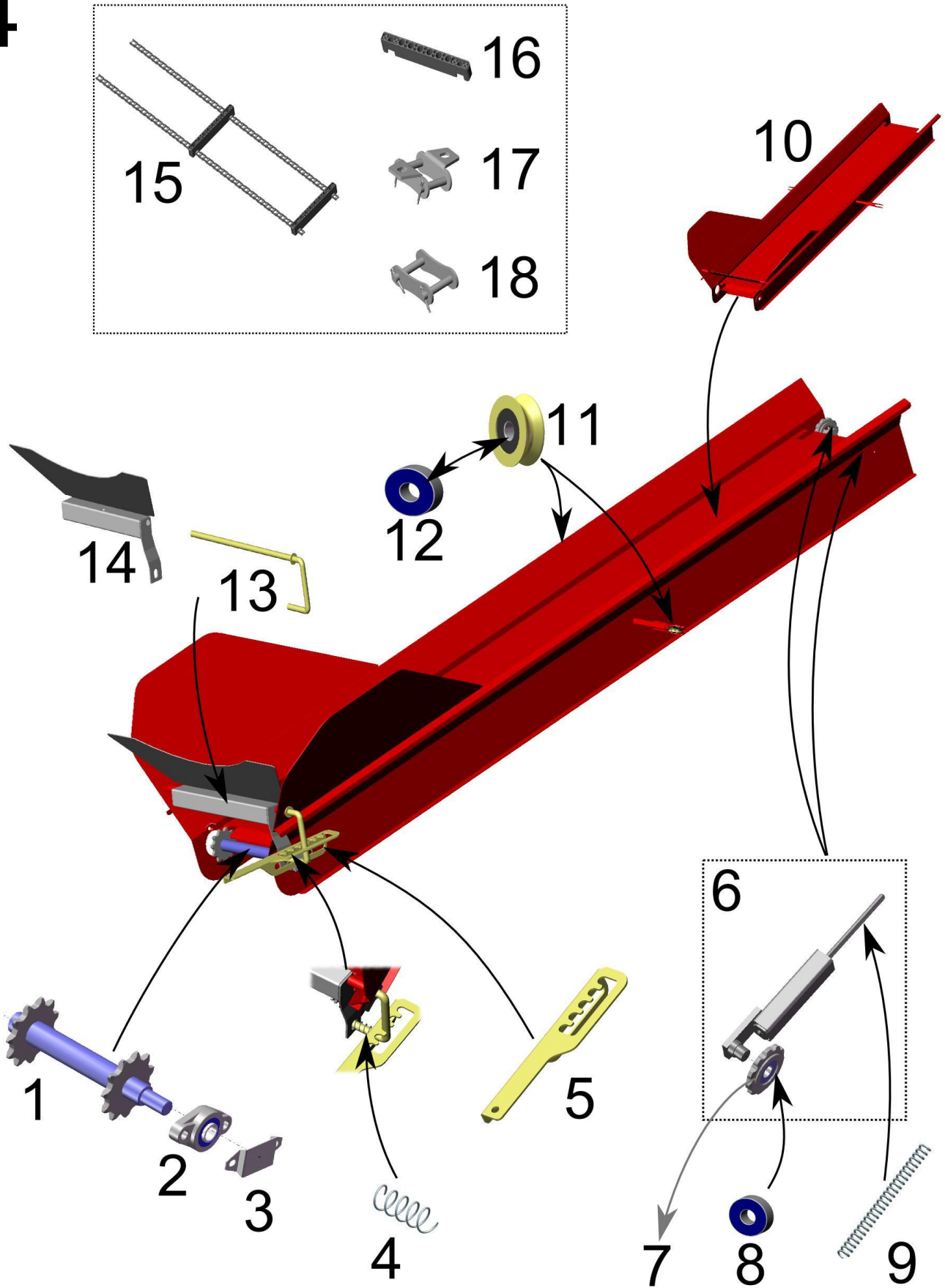
2



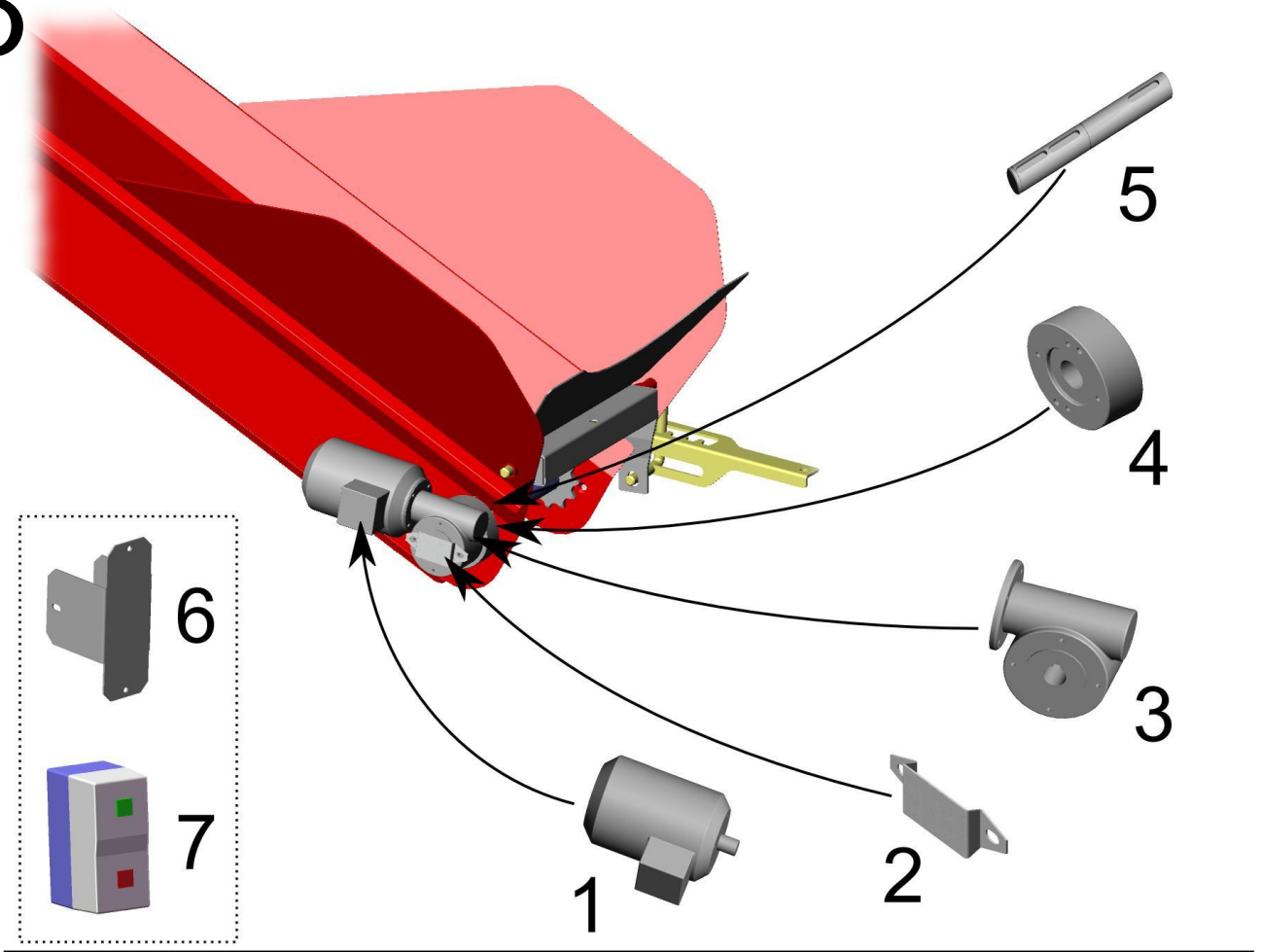
3



4

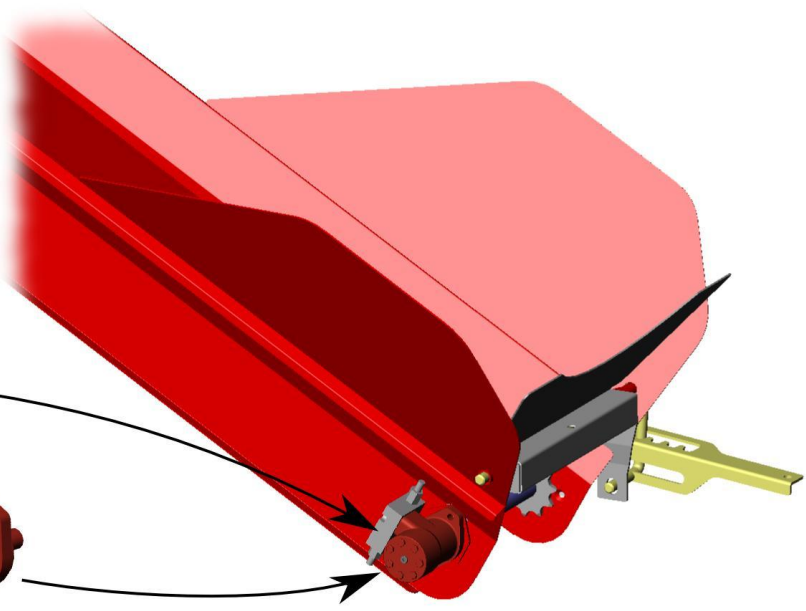


5



8

9



Parts list

Picture	Part	Order Code	Item	Pc.	Note.
1	1	31918	Tightening plate	1	
1	2	31919	Debris gradient	2	Option
1	3	31920	Leg	4	
1	4	31921	Wheel shaft	5	
1	5	31692	Soluid rubber tyre 160/40	5	
1	6	31922	Extension piece	1	Option
1	7	31923	Drum	1	
1	8	31697	V-belt B112	2	
1	9	31924	Gradient	1	
1	10	31925	Frame, cleaner	1	
2	1	31698	Belt pulley, Taperlock 132	1	
2	2	31700	Gear VSF P 050 FB 1/18 C71-B14A	1	SM
2	3	31926	Drive shaft	1	SM
2	4	31701	Gear bracket A VSF P 050	2	SM
2	5	31927	Electric motor 0.55 kW 1500B14A	1	SM
2	6	32147	Starter 0.55 kW	1	SM
2	7	31929	Starter bed	1	SM
2	8	31930	Hydraulic motor bracket	1	Hydr.
2	9	11779	Hydraulic motor WP80 (155)	1	Hydr.
2	10	10988	Flow regulator DO6KRF050G12MM002	1	Hydr.
3	1	31931	Bearer	1	Distributor (optional)
3	2	31932	Gradient	1	Distributor (optional)
3	3	31933	Handle	1	Distributor (optional)
3	4	31934	Lug	1	Distributor (optional)
3	5	31935	Roller holder	1	Conveyor (optional)
3	6	14392	Roller wheel (incl. bearing)	1	Conveyor (optional)
3	7	10060	Bearing 6201 2RS	1	Conveyor (optional)
3	8	31936	Conveyor bearer	1	Conveyor (optional)
3	9	11197	Winch Goliath 6AF	1	Conveyor (optional)
3	10	10482	Wire	1	Conveyor (optional)
4	1	13676	Drive shaft	1	Conveyor
4	2	10997	Bearing UCFL205	1	Conveyor
4	3	15301	Bearing cover	1	Conveyor
4	4	11375	Pressure ring 1.5x25x65	1	Conveyor
4	5	31937	Locking lever	1	Conveyor
4	6	11003	Return roller holder	2	Conveyor
4	7	11200	Return roller	2	Conveyor

4	8	10596	Bearing 6205 2RS	2	Conveyor
4	9	11004	Spring 5.5x30x340	2	Conveyor
4	10	31938	Conveyor	1	Conveyor
4	11	14392	Roller wheel (incl. bearing)	2	Conveyor
4	12	10060	Bearing 6201 2RS	2	Conveyor
4	13	31939	Fixing hook	1	Conveyor
4	14	31940	Swing beam	1	Conveyor
4	15	31730	Conveyor chains + flights	1	Conveyor
4	16	31731	Flight	7	Conveyor
4	17	11376	Flight clamp	14	Conveyor
4	18	11199	Lock piece	2	Conveyor
5	1	31927	Electric motor 0.55 kW 1500B14A	1	Conveyor SM
5	2	15301	Bearing cover	1	Conveyor SM
5	3	32161	Gear VSF P 050 FB 1/10 C80-B14A	1	Conveyor SM
5	4	31941	Gear bracket	1	Conveyor SM
5	5	31926	Drive shaft	1	Conveyor SM
5	6	32147	Starter 0.55 kW	1	Conveyor SM
5	7	31929	Starter bed	1	Conveyor SM
5	8	11779	Hydraulic motor	1	Hydr. conveyor
5	9	14989	Pressure relief valve, motor	1	Hydr. conveyor